



**SAUDI
BOILERS**

شركة المراجل السعودية

CONTENT

- 1** GENERAL INFORMATION
- 2** VENDOR CODES
- 3** LOCATION
- 4** OFFERS IN INDUSTRIAL SECTOR
- 5** THE TEAM
- 6** ENGINEERING AND INDUSTRIAL SERVICES
- 7** CAPABILITIES
- 8** LIST OF PROJECTS
- 9** RECENT PROJECTS DONE
- 10** SPECIALIZED SERVICES
- 11** DOCUMENTS
- 12** CLIENTS
- 13** PARTNERS



GENERAL INFORMATION

SAUDI BOILERS is a Boiler Specialist Company providing expert boiler services for all types of boilers and conducting Preventive Maintenance for all types of Boilers in all industrial sectors.

SAUDI BOILERS provides optimized solutions to end user through its unique blend of industrial expertise and use of Expert resources.

SAUDI BOILERS has a team of engineers, expert Technicians and professionals inspired to work at their best along with associate companies and partners globally who are experts in respective domain.

Wherever and whenever a boiler is required, Saudi Boilers can quickly deliver. Whether a customer has an emergency, disasters, shut-down, testing, planned downtime, Saudi Boilers has the steam, Hot water or heating supply solution and services for every project need

SAUDI BOILERS HAS VENDOR CODES WITH PROMINENT CLIENTS



S10051317



2005480



RCJ000442



7975046



38800

SAUDI ARABIA

Dhaharan



GET IN TOUCH

Email address

info@saudiboiler.com

sales@saudiboiler.com

Phone number

+966 13 867 0307

+966 50 587 7465

Office address

King Abdullah St.(Dhahran St.) & Prince Humood St.Al

Jarbou Administrative Tower Office No.904

Dhaharan, KSA





SAUDI BOILERS

offers Industrial sector clients unique and optimum solutions to maintain equipment's high performance, quality and safety levels

Saudi Boilers offer boiler services from boiler surveys, inspections and boiler repairs and revamp, as well as the design, supply, installation, commissioning of complete boiler systems. Saudi Boilers has industrial experience exceeding 30 years with a lead in boiler engineering services, manufacturing, operations, optimization and maintenance with all types of boilers ranging from utility water tube boilers to medium industrial boilers, fire tube steam boilers, hot water boilers and thermal boilers of all pressure levels. Saudi Boilers is very well versed with all types of boiler services including boiler condition assessment, boiler repair, revamp, and maintenance, and the supply of all boiler auxiliaries.

Boilers and auxiliaries supplied by Saudi Boilers are design, manufactured, installed, maintained to national and international standards such as ASME PBVC Section I, VIII, VI, BS, European and others. Saudi Boiler provides specialized consulting engineering, supply, installation & rental services based on knowledge-intensive experience for the purpose of assisting major Saudi industries and providing cost effective solutions for better, efficient, and reliable continued plant operation to provide continuous reliable products.

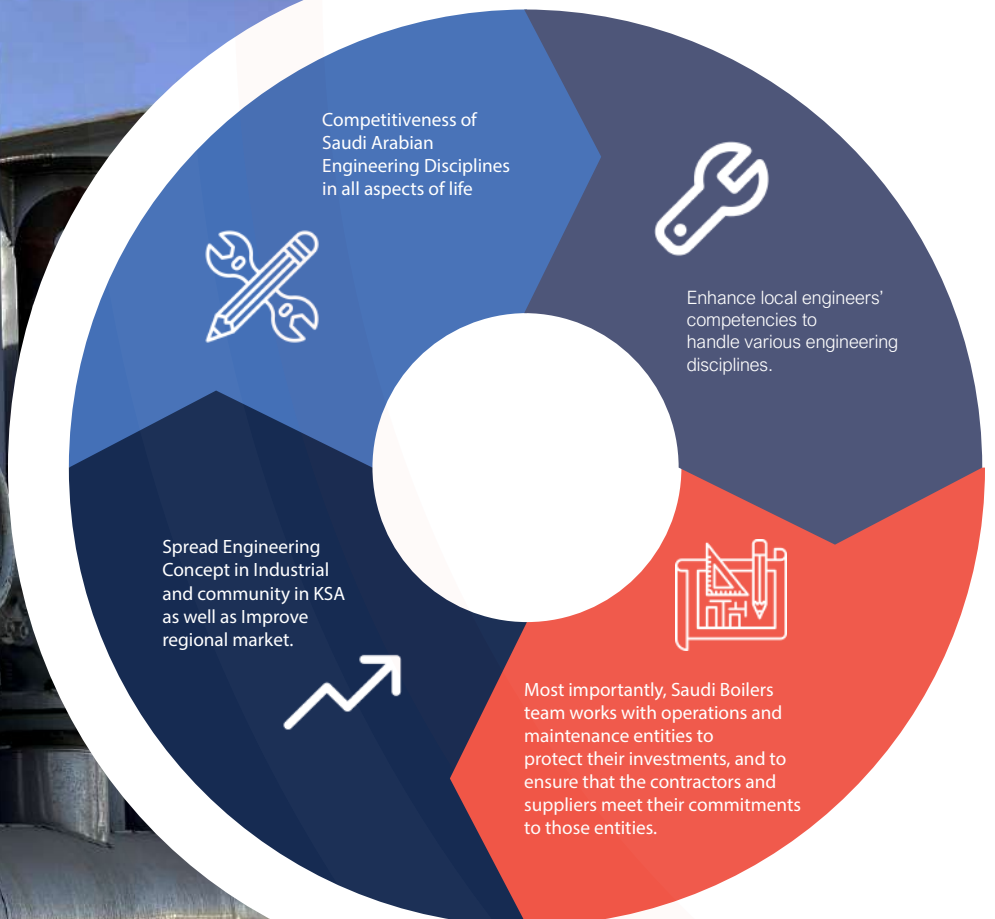
Saudi Boilers believe that engineering services are the means by which industrial project concepts are translated into real form. This is performed through successive applications of intellectual inputs by direct links to several aspects of industrial development such as identification of critical technological needs, technology and know how transfer, and local engineering and industrial capability promotion.

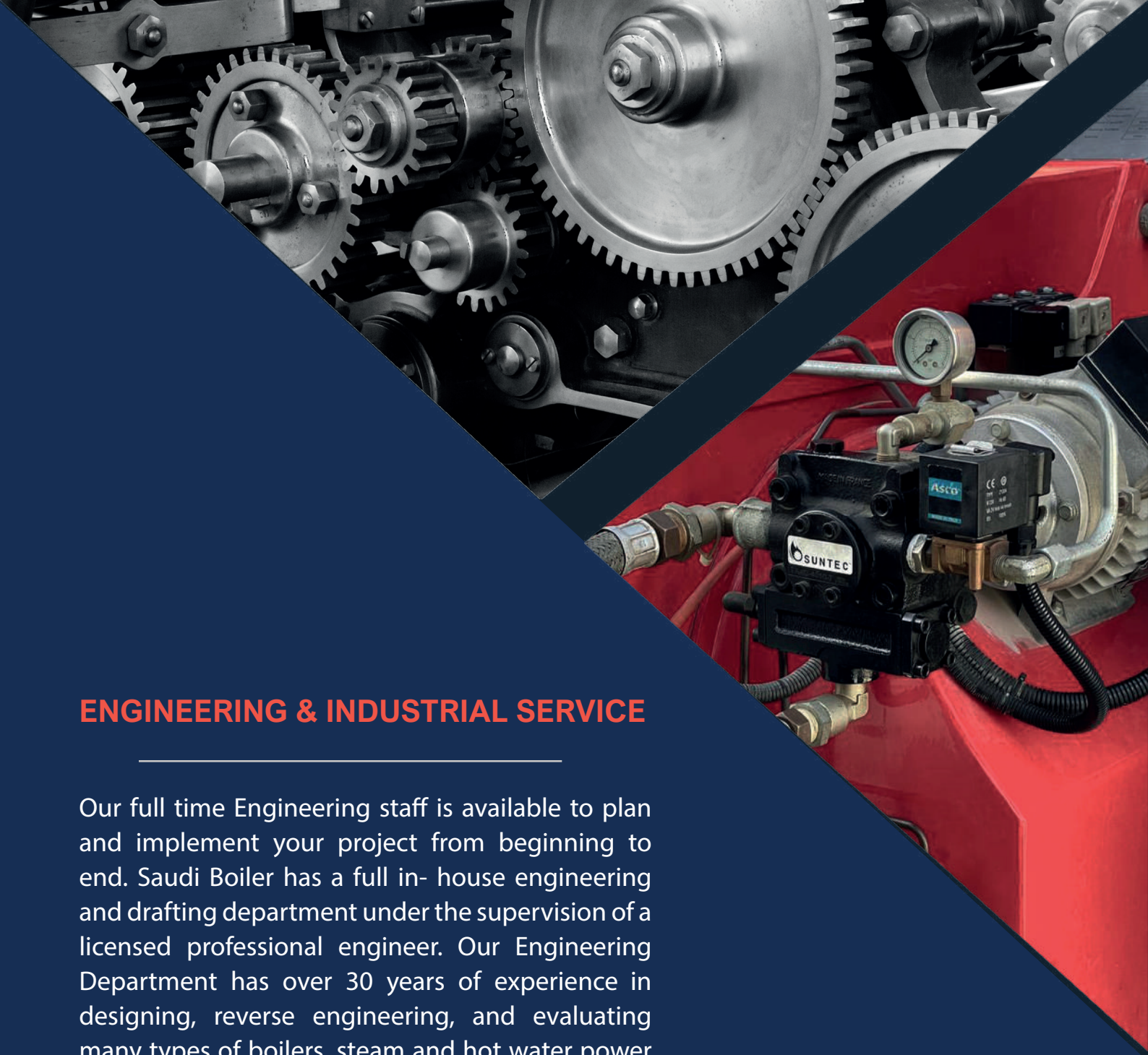
OUR TEAM

Saudi Boiler team is unique among engineering and industrial services providers.

The team is the only team in the Middle East that specializes solely in process equipment engineering services, with proven expertise in thermal design of heat transfer equipment including utility, industrial and packaged boilers, air-cooled, shell & tube, plate & frame, brazed aluminum type heat exchangers, and process fired heaters.

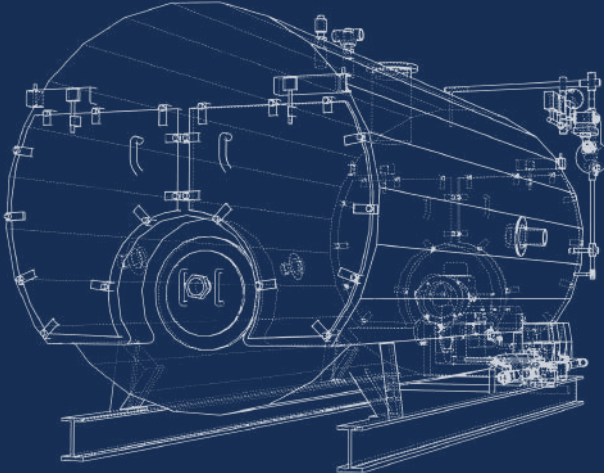
The team handles heat transfer equipment auxiliaries like refractory engineering and industrial insulation. Saudi Boiler team offers comprehensive package of engineering design using all engineering tools





ENGINEERING & INDUSTRIAL SERVICE

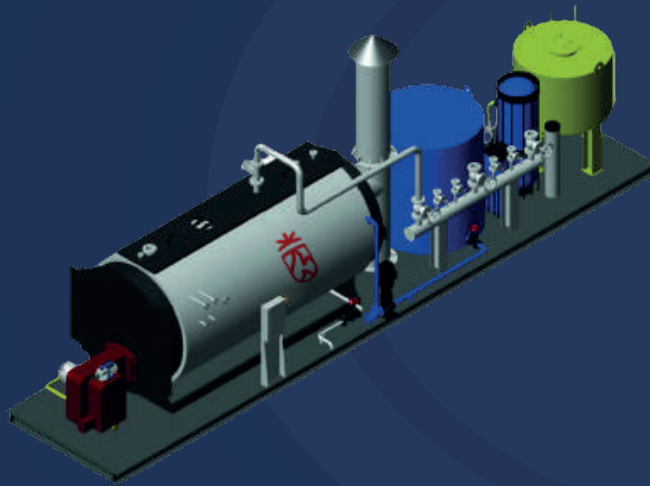
Our full time Engineering staff is available to plan and implement your project from beginning to end. Saudi Boiler has a full in- house engineering and drafting department under the supervision of a licensed professional engineer. Our Engineering Department has over 30 years of experience in designing, reverse engineering, and evaluating many types of boilers, steam and hot water power plant systems, fuel piping, and pressure vessels to ASME as well as many other design standards. Saudi Boiler is fully experienced to certify the repairs and/or fabrications designed by our Engineering Department. Saudi Boiler has developed industry proven steam, hot water, feed water, and fuel systems for customers with complex operating circumstances.



CAPABILITES

Saudi Boilers also provides competent, practical and thorough field engineering services by utilizing staff with extensive field experience and professional engineering skills. This unique mix of practical and professional engineering skills allows Saudi Boilers Engineering & Services to quickly resolve problems on the job to minimize down time to the client. The years of experience of our Engineering Department combined with the advanced technology available to the department, enable Saudi Boilers to become an effective partner for your design and engineering requirements.





CAPABILITES

- Field survey and production of As-Built drawings of previously installed systems
- Analysis and design of replacement equipment for almost any boiler system.
- Evaluate existing systems to can Increase/decrease capacity, improve efficiency with steam and or combustion, improve emissions and or replicate all or part of an existing field erect boiler.
- Our Engineering Department can analyze performance issues, diagnose problems, design solutions, produce and install replacement components.
- Boiler Design and Manufacturing
- Boilers supply up to 100 ton and more
- Our Engineering Department can design and upgrade your boiler controls and BMS, both combustion and steam / hot water equipment.
- Improve and control NOx emissions through burner upgrade, sealed combustion and convection chambers, Design & configuration of Flue Gas Recirculation.
- Feed water & fuel Tank supply Installation & commissioning
- Boiler layout.
- Hot water boiler supplyk
- Deaerator tanks
- Boiler Condition Assessment
- Boiler Failure & remaining Life Analysis
- Boiler Plant Feasibility Studies
- Burner supply
- Boiler Design and Manufacturing
- Steam piping auxiliary supplyl
- Energy & Performance Optimization.
- Monitoring and Diagnostics.
- Fitness for Service Analysisi
- Insulation & Refractory Evaluation.
- Steam Piping Design.
- Complete steam & hot water Projects
- Design and configuration of induced gas recirculation.
- Design of Fuel system Retrofits, (helpful with the oil market situation)
- Design & or retrofit of economizer system.
- System troubleshooting and issue analysis with complete solution and support design write up.
- Design alternative fuel systems and system retro fits for propane, landfill gas, etc

LIST OF THE PROJECT

2015

- Supply & commissioning of 1 t/h steam boiler at Riyadh Metro, Riyadh
- Supply & commissioning of 1 t/h steam boiler at Bel Helmate, Bahrain

2016

- Supply & Commissioning of Hot water Boiler At Delmon Factory at Dammam
- Supply & commissioning of 2 boilers 2 t/h steam at Gulf Palace Dammam

2020

- Supply & Commissioning of low-pressure 2 t/h steam boiler at Tammimi Industry, Dammam
- Supply & Commissioning of Hot water boiler at Al Amar Mines Maaden
- Feasibility Study of fuel change for 8 boilers at Savola Company.
- Boiler calibration & Testing at P&G - Modern Industries Company
- Boilers Inspection, Combustion test, efficiency calculation & maintenance inspection at S-Chem

2022

- Supply, installation & commissioning of 5 t/h steam boiler at Prainsa Precast Factory, Dammam
- Supply, installation & commissioning of 5 t/h skid steam boiler for ABIS, Dammam
- Supply, installation & commissioning of 2 t/h steam boiler at Prainsa Precast Factory, Jeddah
- Supply & commissioning of 4 hot water boilers of 2510 KW capacity, at King Abdul Aziz Military City - Tabuk.
- Supply & Commissioning of one 700 KW Hot water boiler at ISTP Plant Taif (KSA)
- Supply & Commissioning of two 1645 KW Hot water boilers at ISTP Plant Dammam

2023

- Supply, installation & commissioning of 20 t/h steam boiler at Saudi Paper Manufacturing Co., Dammam
- Supply, installation & commissioning of 5 t/h steam boiler at Noor Cartoon Factory, Dammam
- Supply & commissioning of 3 t/h Steam Boiler at FEEDCO Jeddah.
- Supply, installation & commissioning of 2.8 t/h steam boiler at Saudi Belt Factory, Dammam
- Supply & commissioning of 3 t/h Steam Boiler at FEEDCO Jeddah.
- Supply & commissioning of 300 kg/h steam boiler for Estedamam Factory Abqiaq
- Supply & Commissioning of two 1645 KW Hot water boilers at ISTP Plant Buraydah, Madina and two 1100 KW at Tabuk.
- Replacement of 50 tph water tube Boiler's super-heater tubes at MEPCO. Jeddah
- Design, Supply, installation & Commissioning of thermic Oil Boiler with full heating & cooling system at Delmon Plant at Dammam.

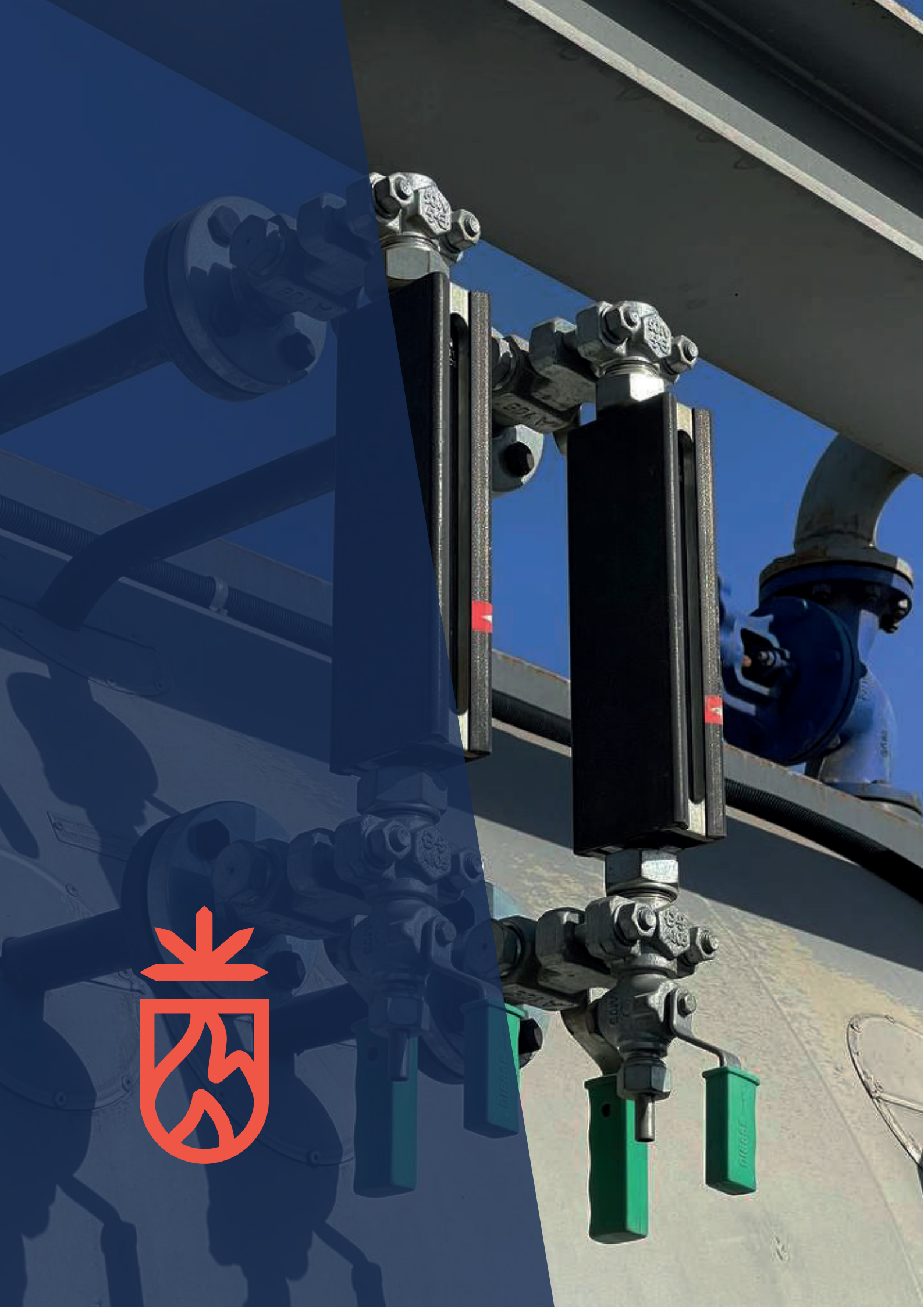
LIST OF THE PROJECT WITH

- Water Tube Boiler Condition assessment (Luberef Yanbu)
- Khursaniyah Gas Plant HRSG Economizer Tube Failure Analysis (Saudi Aramco)
- Analysis of Waste Heat Boiler Pipe- Duct-MC Assembly (Tasnee- Jubail)
- Calibration & Adjustment of Burner Flame Scanner (Tasnee- Jubail)
- Two boilers replacement of burner flame scanners & ignitors at Qatif gas plant (Saudi Aramco)
- Two Waste Heat Boilers RCA and repair recommendation (Maaden-Turaif)
- Many other clients and plants (with confidentiality agreement)
- Supply & commissioning of 250 kg/h steam boiler for Saudi Aramco (2021)
- Boiler inspection & Hydro-test at Almarai company Hail (2021-KSA)
- Supply & commissioning of 3 t/h steam boiler at Nozoly, Jeddah (2017)

Wherever & whenever a boiler is required, Saudi Boilers Co. can quickly deliver. Whether a customer has an emergency, disasters, shut-down, testing, planned downtime, Saudi Boilers has the steam supply solution and services for every project need.

Recent projects done by our Dutch partner EPC Boilers & Product

Project	Client	Type	Services
Twingo 2x 400 MW gas fired power plants	NUON, Hemweg and Diemen, Amsterdam, The Netherlands	Execute, Operate; new build; LSTK	Project QA/QC Management, Project QC Supervision, Project Commissioning Management
MPP3 1.100 MW coal-fired power plant	E.ON Benelux, Rotterdam-Maasvlakte, The Netherlands	Execute, Operate; new build; LSTK	Project Procurement Strategy, Project QA/QC Management, Project Expediting of main vendors and subcontractors, Project Document Management, Project HSE Management, Project Civil Construction management, Project Planning management, Project Commissioning Management
GTG and HRSG revam	BP Raffinaderij Rotterdam B.V., Europoort, The Netherlands	FEL2, FEL3, Execute and operate LSTK	Project Management, Project Planning, Engineering Management, Process, Mechanical, LV-HV Electrical, Instrument Engineering
Vision 2010: approx. 10 refinery process unit	OMV, Austria and Petrom, Romania	FEL2, FEL3; new build and revamp; LSTK	Program Management Consultant, Program Engineering Management, Program Engineering Mechanical, Piping & E&I, Program Document/ Data/ ICT Management, Project PED Management, Project Management OSBL+Utilities
Thermal Gasoil Plan	OMV, Schwechat, Austria	Execute; new build; LSTK	Program Recovery & Claim Management, Project Expediting of Main Vendors and Engineering Contractor
Reconfiguration CDU, Naphta Treater, FCC	BP Raffinaderij Rotterdam B.V., Europoort, the Netherlands	FEL-3, Execute: new build and revamp; LST	Program Management Consultancy, Program QA/QC management, Program Engineering management, program Engineering Mechanical
Air Separation, Gasification, Combined Cycle & Heat generation	NUON Buggenum, the Netherlands	Execute; Shut Down; LSTK	Project Management, Subcontract Management
Mymensingh Power Station Extension, Bangladesh	Siemens Power Competence Centre, The Hague, The Netherlands	FEL3, Execute, Operate; new build: LSTK	Project Management, Engineering Management, Process Engineering, Process Control Engineering, Mechanical Engineering, Instrument Engineering, Contracting Engineering, Commissioning management
Natural Gas Compressor Station	BAM	Execute; new build; LSTK	Project Planning, Project Document Management
EnerjiSA Power Stations, Adana, Mersin, Canakale, Turkey	Siemens Power Competence Centre, The Hague, The Netherlands	FEL3, Execute, Operate; 3x new build: LSTK	Project Management, Engineering Management, Process Engineering, Process Control Engineering, Mechanical Engineering, Instrument Engineering, Contracting Engineering, Construction Supervision, Commissioning management.



OUR SPECILAIZED SERVICES

● **Boiler Failure Root Cause Analysis**

Saudi Boilers follow several proven methodologies for root cause analysis one of which is influence diagram analysis to decide and determine relative contribution of various root cause influences in operating boilers. It also provides a tool to evaluate possible approaches to prevent recurrence of boiler component failures.

● **Expert Inspection Services**

Saudi Boilers employ proper inspection techniques for all types of boiler components and/or auxiliaries to insure accurate diagnostics of any failure mode for proper remedies and rehabilitation.

● **Boiler Circulation Analysis**

Saudi Boiler team is the only team in Saudi Arabia to assess and evaluate boiler internal circulation and presents clients with remedial solution of tube overheating due to boiler circulation losses. Our circulation analysis works for all types of water tube boilers and was tested in industrial tube boilers mitigating reoccurrence of furnace tube failures due to short term overheating.

● **Boiler Shutdown Management and Services**

Saudi Boilers follows and conduct an outlines shutdown management program for the proper and expert services of all boiler components including pressure, auxiliary, and control components. The program details all service functions to ensure all boiler components are being thoroughly serviced, repaired, and/or replaced to prolong boiler operational life with all safety and environmental measures.

● **Fuel Switch Studies**

Due to energy constraints as well as environmental regulations, switching fuel is required by some clients to abide to all operational requirements. Saudi Boilers can study the technicality as well as the feasibility of fuel switch including all energy, environmental, and economical constraints and requirement.

● **Flue Gas Analysis**

Supporting Boilers / HRSGs / Fired Heaters and Furnace owners, Saudi Boilers provides state-of-the-art exhaust gas emission measurements directly on site using latest calibrated, standard and certified, equipment, whenever and wherever needed

DOCUMENTS

٧٠١١٤٨٢١٦٨

الرقم الموحد : ٧٠١١٤٨٢١٦٨

رقم المنشأة : ٢٠٥١٠٤٤٨٠٤

التاريخ : ١٤٣٢/٠٢/٢٦ هـ

شهادة تسجيل الشركة Company Registration Certificate



الاسم التجاري للشركة : شركة المراحل السعودية للصيانة

نوعها : ذات مسؤولية محدودة

جنسيتها : سعودي

وتنتهي في : ١٤٦٣/١١/٢٨ هـ

تبدأ من : ١٤٤٣/١١/٢٩ هـ

مدة الشركة : ٢٠ سنة

مركزها الرئيسي : ٣٥٨٠، طريق خادم الحرمين الشريفين، حي العفريية، ٦٢٨٣

ص. ب :

الرمز البريدي : ٣٤٤٤٦

النشاط : للاطلاع على بيانات الأنشطة الرجاء مسح الرمز التجاري

رأس المال : ١٠٠,٠٠٠ ريال سعودي

المديرون : 1: سلامة سالم جنتاني العزي

2

3

4

5

6

7

8

9

10

11

12

13

14

15

16

سلطات المدير/المديرون : حسب ما نص عليه عقد الشركة

بأنه تم تسجيل الشركة المذكورة أعلاه بمدينة : الخبر

يشهد مكتب السجل التجاري بمدينة : الخبر

وتاريخ : ١٤٤٤/٠٣/٠٨ هـ

بموجب الإيصال رقم : ١١٧٧٠٩١٣٩

١٤٤٥/١١/٢٩ هـ

وتنتهي صلاحية الشهادات في : ١٤٤٥/١١/٢٩ هـ



To Verify The Information Of This Certificate Visit <http://dop.mc.gov.sa> يمكنكم التحقق من صحة هذه الشهادة بالندول على <http://dop.mc.gov.sa>
+966 11 294 6444 | الرياض 11162 Kingdom of Saudi Arabia | المملكة العربية السعودية | WWW.MC.GOV.SA MCgovSA @



شهادة الاشتراك - Membership Certificate



The Unified Number: 7011482168

الرقم الموحد للمنشأة: 7011482168

Classification : Third

الدرجة : الثالثة

Date of Issue : 21/09/2023

تاريخ الاصدار : 06/3/1445

Asharqia Chamber Certifies that :

تشهد الغرفة التجارية الصناعية بالمنطقة الشرقية بأن :

Saudi Boilers Maintenance Company

شركة المراحل السعودية للصيانة

Membership No : 101570

رقم الاشتراك : 101570

Registered with Chamber since : 07/05/2013 and

مشتركة في الغرفة منذ : 27/06/1434

the certificate expires on : 06/06/2024

وينتهي سريان هذه الشهادة في : 29/11/1445

,3580, الخبر, 31952

,31952, الخبر, 3580



SF-MEMBD-04 Rev. 10 Issued 01 MAR. 2021

يمكنك التحقق من صحة هذه الشهادة <https://www.chamber.org.sa/VerifyCert>

CLIENTS



PARTNERS



The background image shows an industrial facility at night. Two tall, cylindrical chimneys with alternating dark and light horizontal bands are the central focus. They are illuminated from within, with a warm orange glow at their tops and along their sides. To the right, a flare stack is visible, with a bright flame at its tip. The lower part of the image shows a complex network of pipes, walkways, and structural elements, all dimly lit by various lights. The sky is a deep, dark blue, providing a stark contrast to the industrial lights.

Saudi Boilers Year 2024

Boiler supply and services with
local and international expertise